

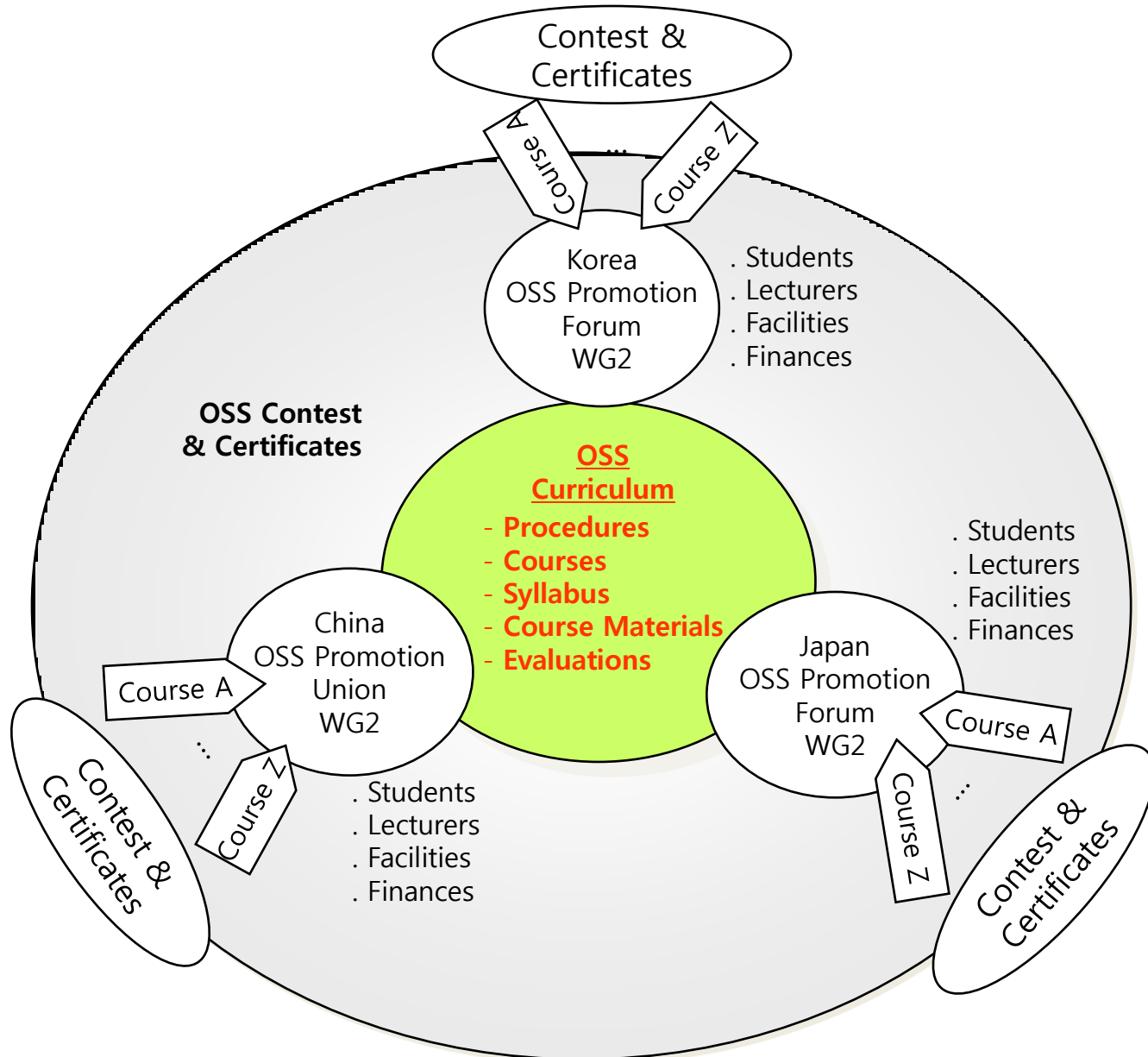
NEAOSS Promotion Forum
WG2
Human Resource Development

Minsuk Lee
WG2 / NEAOSS Forum
Hansung University

Agenda

- Summary of WG2 activity
 - Summary 2010 WG2 Activities
 - Sample Curriculum
 - Training Camp
 - OSS Awards
 - Brief Summary of CJK Activities
- CJK HRD efforts
 - In detail HRD activity reports of three Countries
- Speech of special contribution awardees

NEAOSS WG2 for HRD - Cooperation Framework



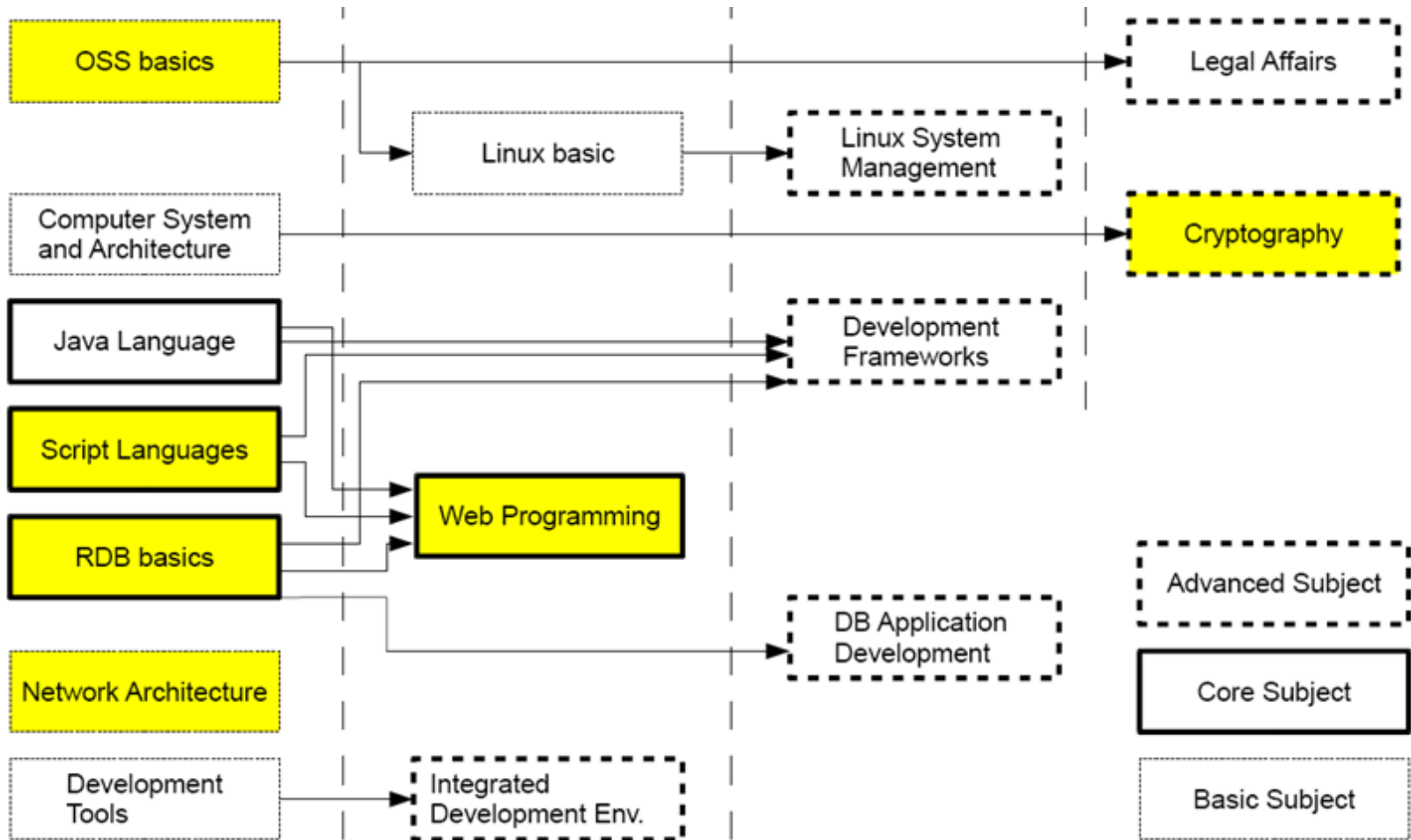
Sample Curriculum

- WG2 published 'NEA OSS Sample Curricular for Software Engineering Education (Draft 2.0)' in December 2009.
 - 2008 : for Embedded Software Developers
 - 2009 : for Web-Based Enterprise Application Developers
- Sample Curriculum defines 9 Skill Categories, 38 Skillsets
 - Upto now, 14 Skill-sets are fully described, others are in draft
- Sample Curriculum v3.0 will be released on 2011.
 - For OSS system administrator
- <http://www.neaossforum.org>

Skill Categories / Skill Sets

1 .Basic	1. Knowledge of OSS	5. Multimedia System	1. Multimedia Programming	
	2. Legal Affairs		2. Multimedia Service Platform	
	3. Computer System and Architecture	6. Development system	1. Development Frameworks	
	4. Distributed Architecture		2. Development Tools	
2. System	1. Concept of Linux and Basic Operations	7. Security	3. Integrated Development	
	2. Kernel of Linux		4. Software Testing	
	3. Linux System Management		1. Fundamental of Cryptography	
	4. Linux System Programming		2. Network Security	
	5. Network Server Management	8. RDB	3. OS Security	
	6. Cluster System Architecture		1. Basic Skills in RDB	
	7. Concurrent System Programming		2. RDB system management	
	8. Java EE Application Server		3. RDB Applications Development	
3. Network	1 Network Architecture	9. Embedded SW	1. Embedded System Development	
	2. Network Management		2. Embedded Development	
	3. Network Programming		3. Embedded Application	
4. Programming	1. Java		DONE (v2.0) ->	4. Embedded System Optimization
	2. C			5. Device Driver Development
	3. C++			
	4. Script Language			
	5. GUI			
	6. Web Programming			

Sample Curriculum 2.0



Sample Course for Web based Enterprise Application Developer

NEA OSS Wiki

- WG2 established 'NEA OSS wiki' to promote, to share and to improve the Sample Curriculum
- <http://wiki.neaoss.org/>



The screenshot shows the NEAOSS Wiki interface. At the top left is the logo, a blue flame-like shape with a white 'e' inside, followed by the text 'NEAOSS Wiki'. Below the logo is a search bar with the text 'Search this site:' and a 'Search' button. To the left of the main content area is a sidebar titled 'Skill sets' with a list of categories: Knowledge of OSS, Legal Affairs, Computer System and Architecture, Distributed Architecture, and Concept of Linux and Basic Operations. The main content area has a breadcrumb trail 'Home > Skill Set Definitions' and a heading 'Skill Set Name: Knowledge of OSS'. Below this is a table with columns: Topics, Level, Sub topics, Skill Category No, Code Share, and comment. The table contains one row with the following content: 'Topics' is empty, 'Level' is empty, 'Sub topics' contains the text 'Understand the definition of open source software (OSS) and the concept of OSS, OSS development models.', 'Skill Category No' is empty, 'Code Share' is empty, and 'comment' is empty. Below the table, there is a section titled 'No Prerequisite' with a list of sub-topics, including 'Understanding the definitions of'.

Home > Skill Set Definitions

Skill Set Name: Knowledge of OSS

Topics	Level	Sub topics	Skill Category No	Code Share	comment
		Understand the definition of open source software (OSS) and the concept of OSS, OSS development models.			

No Prerequisite

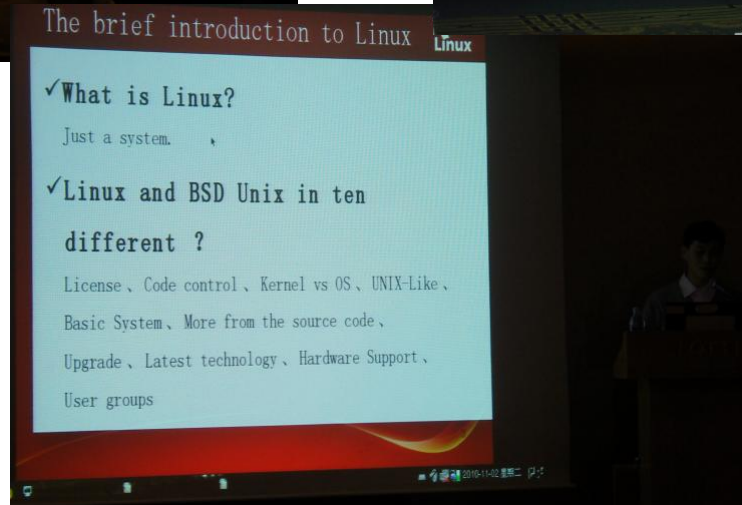
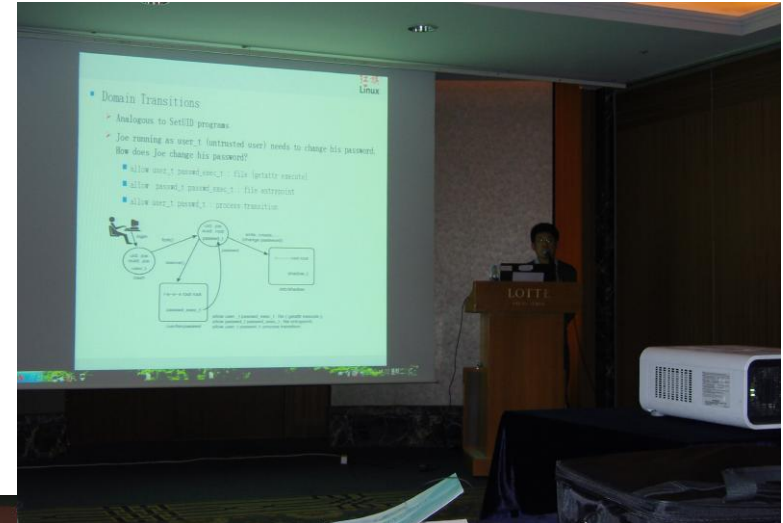
- Understanding the definitions of

Login or

Training Camp

- The 1st NEAOSS Training Camp
- 4 hours of training for 3 Subjects
- Lecturers from China, Japan, Korea
 - Mobile Programming
 - Mr. Sunjin Jang (Software In Life, Korea)
 - Server & Security
 - Mr. Yongchen Wu & Mr. Wang Chao (Redflag, China)
 - Ruby-on-Rails
 - Mr. Yoshihiko Hara (Fujitsu SSL Ltd., Japan)

Training Camp



Summary of China HRD efforts

- Survey on OSS courses in colleges and Universities
- OSS Teacher Training
 - Oversea training : 28 teachers from 24 Universities
 - RedFlag Institute : 600+ teachers
 - Peking University + Intel : Short-term Smart-phone development
- OSS software case base construction
 - Based on Sample Curricula v2.0
 - Application of comprehensive practice outcomes
 - With compiling teaching materials
- China Open Source Software Contest 2010 (on going)
 - With OSS technology workshops and seminars in colleges and universities

Summary of Japan HRD efforts

- Japan OSS model curriculum V2 (by 1Q2011)
 - Model curricula and syllabus for 29 subjects, with Learning Guidance books
 - Includes OSS developer and community management skills
 - Deployment Programs for Universities and institutes
- Distribute OSS/Linux textbooks under CC-BY license
- OSS Award and Encouragement Award
- Fostering Linux Kernel developers and Ruby core developers in Programming Camp

Summary of Korea HRD efforts

- Promoting Sample Curriculum
 - Sample Curricula v2.01K (by the end of 2010)
 - Syllabus and Training Materials (English slides) under CC-BY 2.0 KR
 - For 9 high-demand Skill-sets
- OLC(OSS Learning Community) Center
 - Open market for OSS educational resources
 - On/Off-line training based on Sample Curricula
- The 4th Open Source Software World Challenge
 - 143/23 (domestic/international) teams competed
 - Expecting 200 junior participants
- OSS Community Projects
 - Supported 28 OSS projects (including 6 strategic projects)